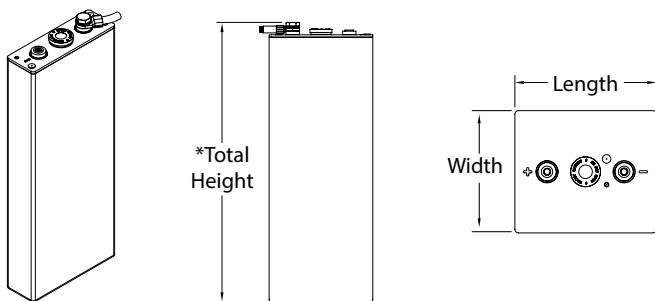


Product Range

Type No.	NOMINAL CAPACITY					Kilo-Watt Hours (120 HRS)	Poles	MECHANICAL CHARACTERISTICS							
	240 HR	120 HR	100 HR	20 HR	10 HR			Length		Width		Height*		Weight	
	1.85VPC at 20°C / 68°F			1.75VPC at 27°C / 80°F				IN	MM	IN	MM	IN	MM	LB	KG
2 VOLT CELLS															
2VRE2-300TG	169	167	165	133	121	0.33	2	7.8	198	1.9	47	14.6	370	20	9
2VRE3-500TG	253	251	247	200	182	0.50	2	7.8	198	2.6	65	14.6	370	28	13
2VRE2-600TG	314	312	307	248	225	0.62	2	7.8	198	1.9	47	23.4	595	34	16
2VRE3-1000TG	506	501	494	400	363	1.00	2	7.8	198	2.6	65	23.4	595	49	22
2VRE4-1300TG	675	669	659	533	484	1.34	2	7.8	198	3.3	83	23.4	595	63	29
2VRE5-1700TG	844	836	823	667	605	1.67	2	7.8	198	4.0	101	23.4	595	78	36
2VRE6-2000TG	1013	1003	988	800	726	2.01	2	7.8	198	4.7	119	23.4	595	94	43
2VRE7-2300TG	1182	1170	1153	933	847	2.34	2	7.8	198	5.4	137	23.4	595	108	49
2VRE8-2700TG	1350	1337	1317	1067	968	2.67	2	7.8	198	6.1	155	23.4	595	123	56
2VRE7-2800TG	1397	1383	1362	1103	1001	2.77	2	7.8	198	6.1	155	29.1	740	134	61
2VRE8-3200TG	1596	1580	1557	1260	1144	3.16	2	7.8	198	6.1	155	29.1	740	151	69
24 VOLT BLOCKS															
24VRE7-28000TG	1182	1170	1153	933	847	28.08	24	32.6	827	17.0	432	24.7	627	1296	588
24VRE8-38000TG	1596	1580	1557	1260	1144	37.93	24	32.8	832	19.3	490	30.9	784	1812	822

*Includes installed connectors and shrouds.

Drawings



Certified Quality

- Certified with ISO 9001, ISO 14001, BS OHSAS 18001.
- Compliant with IEC 61427 requirements for photovoltaic energy systems.
- Tested according to IEC 60896-21 and fully compliant with IEC 60896-22 requirements.
- Compliant with the safety requirements of EN 50272-2.

The ideal energy solution for Stationary & RES applications